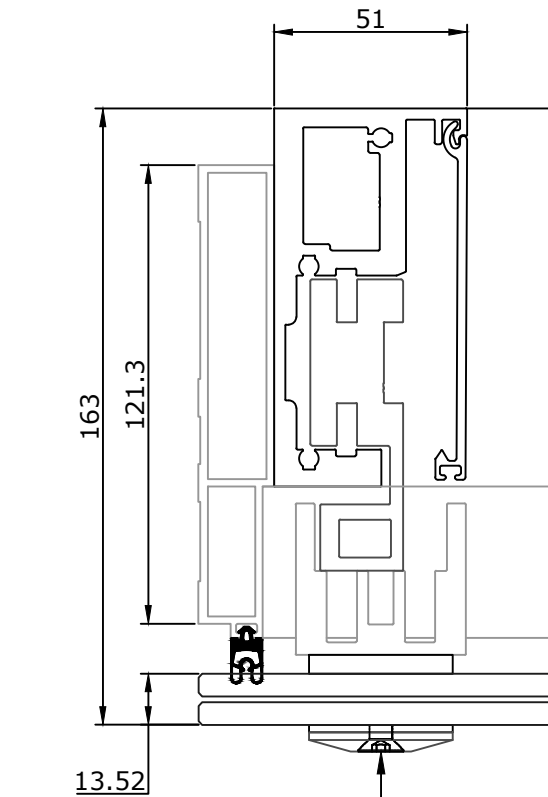
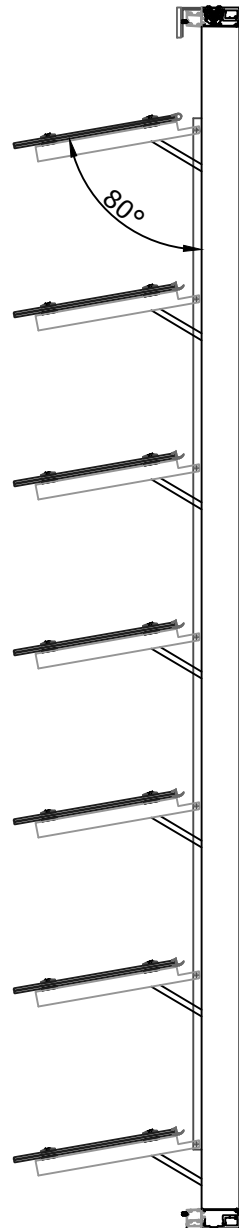
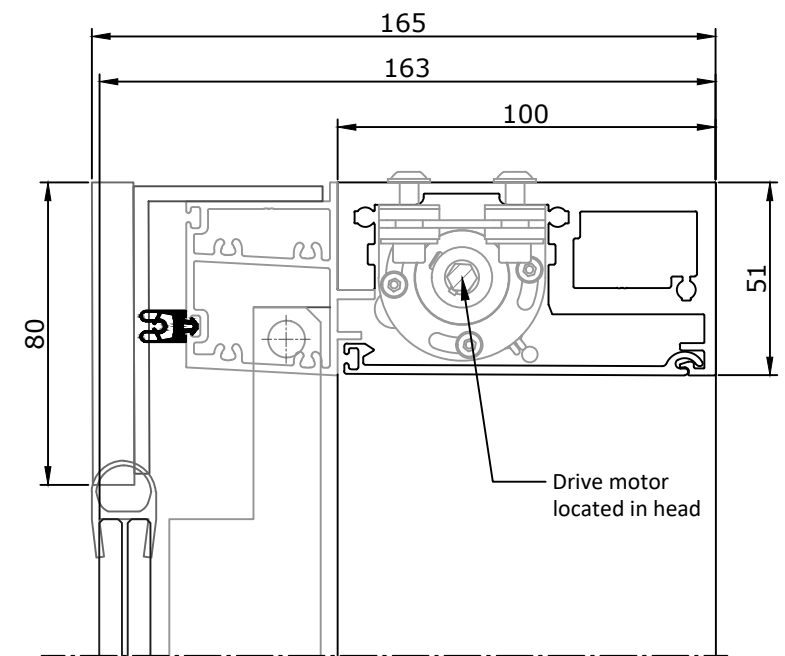


External Elevation & Sections - Scale 1:20

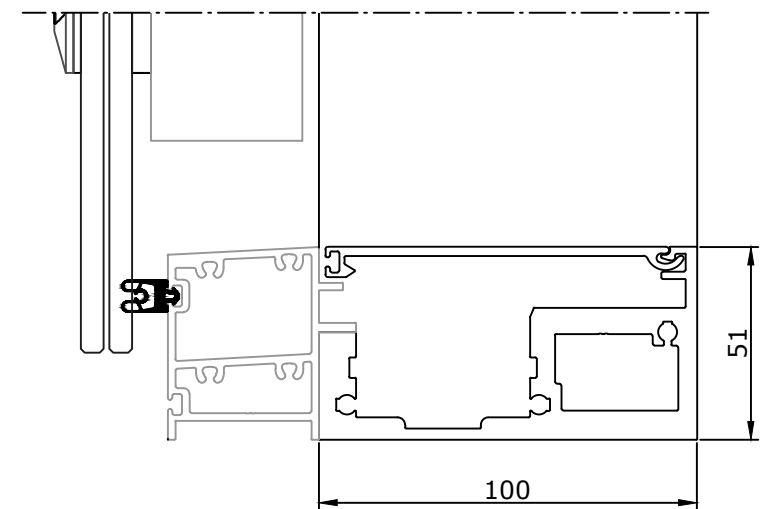


St. Stl. Grade 316 Patch fittings
(with rubber washers)
for securing glass blades

Typical Mullion Detail
Scale 1:2



Typical Head Detail
Scale 1:2



Typical Sill Detail
Scale 1:2

Glazing Notes:

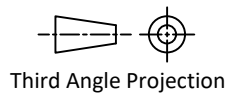
Types of glass shown:
13.52mm Laminated Grade A Safety Glass

Note*: Glazing details on this drawing are for example purposes only.
Blade design/sizing and glass thickness dependent on project requirements, compliance with relevant standards and project specific wind loads.

Louvre System Type: LF550

Glazing Arrangement: Continuous Blades - 13.52mm Glass

Operation Type: Automated



Third Angle Projection

EBSA Pty Ltd
1300 327 200
sales@ebsa.com.au

EBSA NZ Ltd
+64 (0)9 8840025
info@ebsa.co.nz
www.ebsa.com.au

Rev	Rev Date	Revision Description	Drawn	L.C.
0	30.6.20			

Drawing Reference: LF550-CB-13.52

Title: LF550 Louvre System - Example Drawing (Continuous Blades Design)

Date: 30.06.2020

Scale: As Details Paper Size: A3 Sheet No: 1 of 1

Revision Schedule
Copyright 2021 EBSA Pty. Ltd. This Drawing May Not Be Relayed Without Our Approval. All dimensions in mm