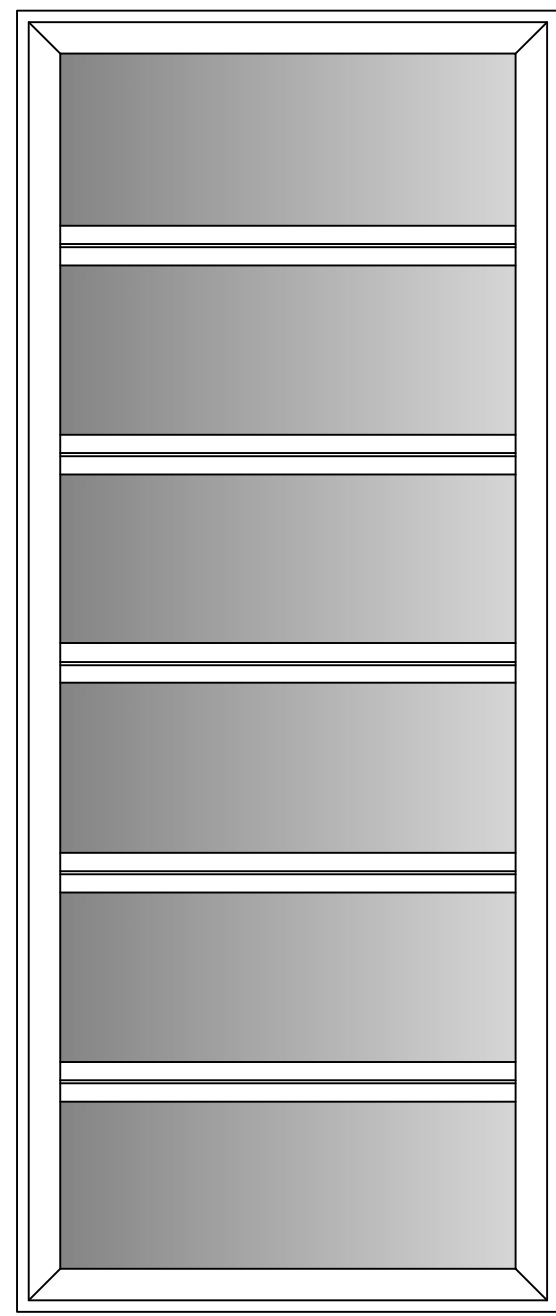
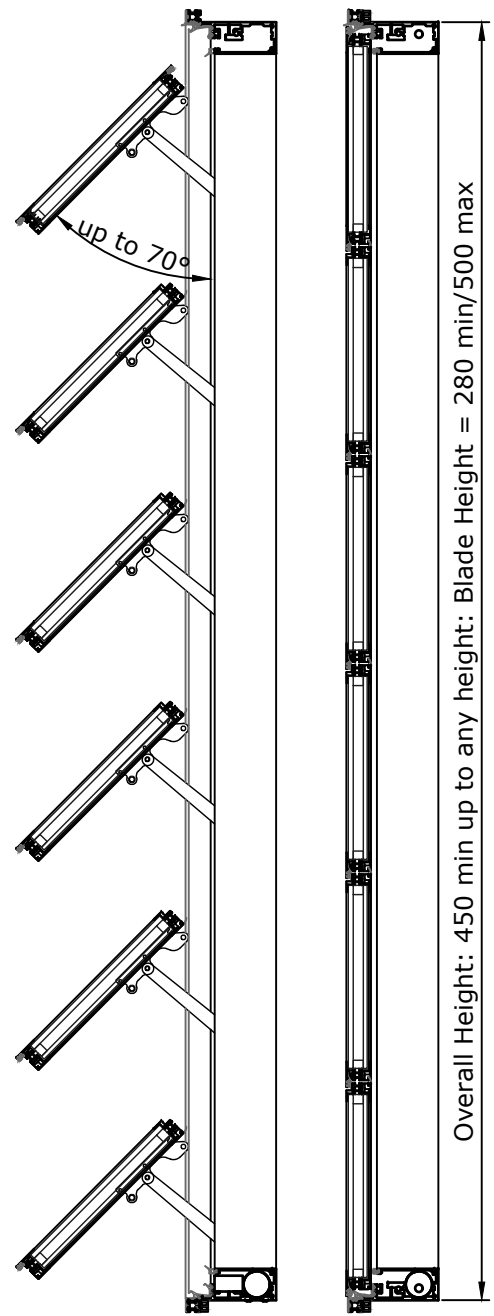
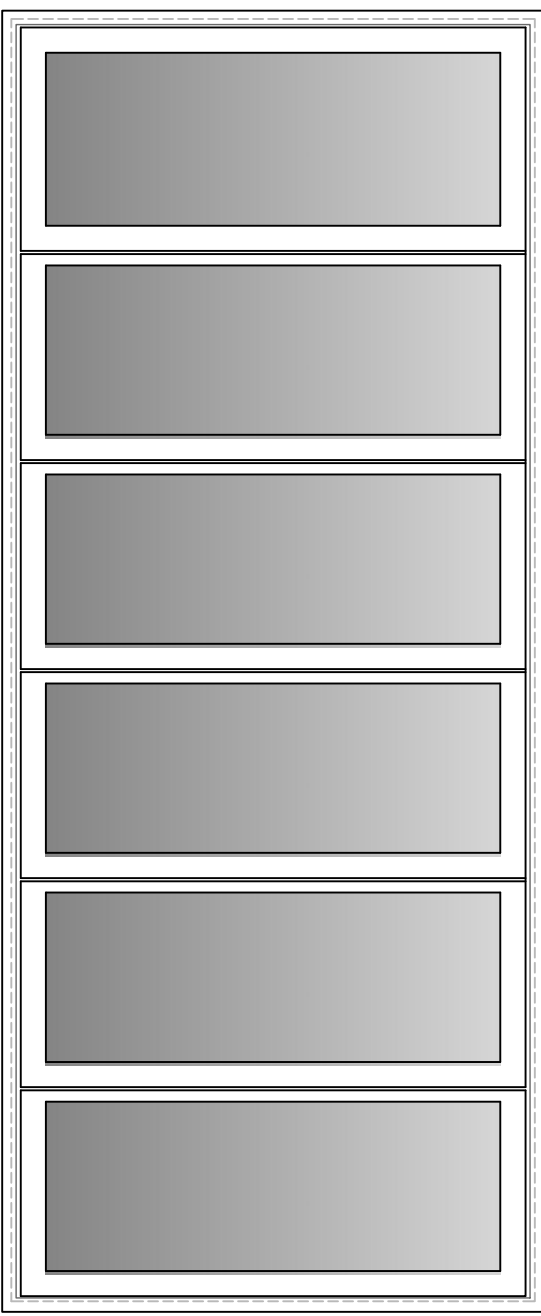
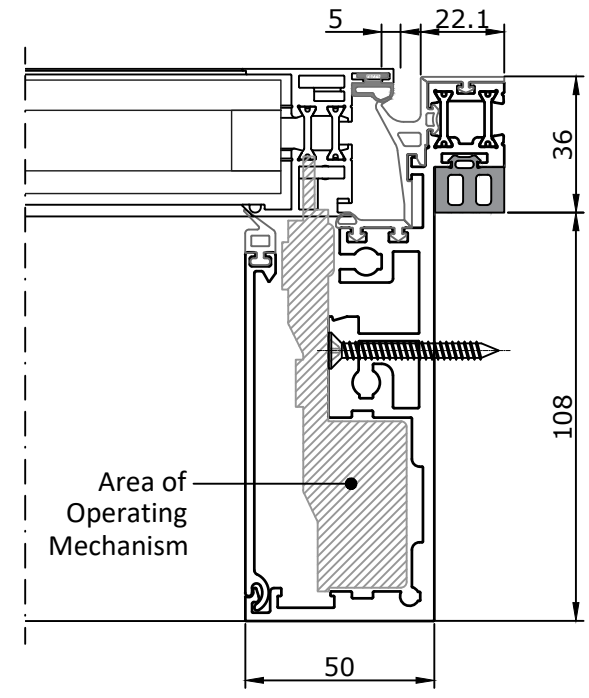
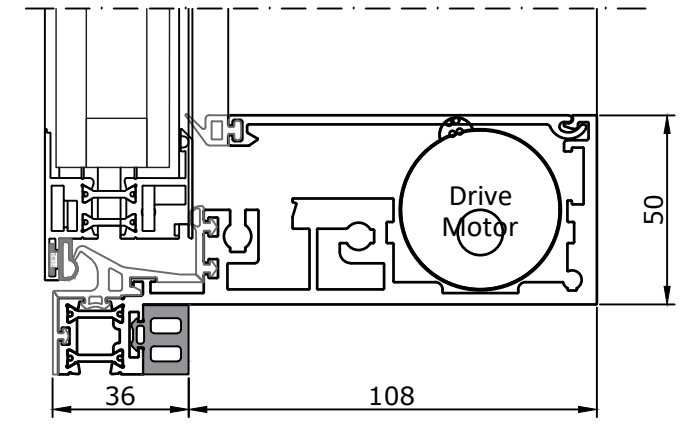
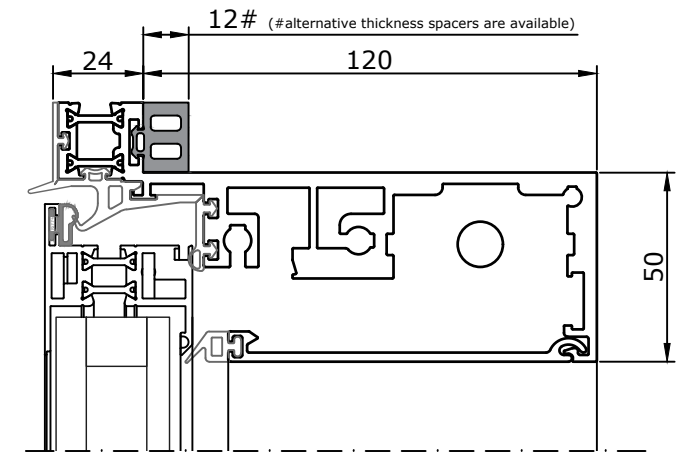
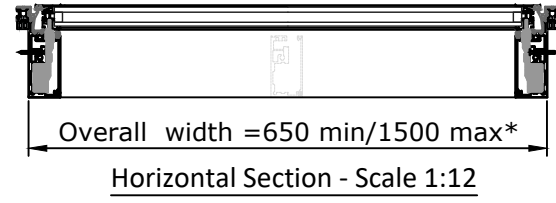


Notes:
 Types of glass shown:
 30mm IGU
 *Max width can be increased by introduction of an intermediate mullion



Exterior View - Scale 1:12

Vertical Sections - Scale 1:12

Interior View - Scale 1:12

Mullion Details - Scale 1:2

Louvre System Type:	MP2
Glazing Arrangement:	Double Glazed, Framed
Operation Type:	Automated

EBSA
 Window Automation | Operable Glass Roofs
 Architectural Glass Louvres

schneider
 LOUVRES

Third Angle Projection

EBSA Pty Ltd
 1300 327 200
 sales@ebsa.com.au

EBSA NZ Ltd
 +64 (0)9 8840025
 info@ebsa.co.nz
 www.ebsa.com.au

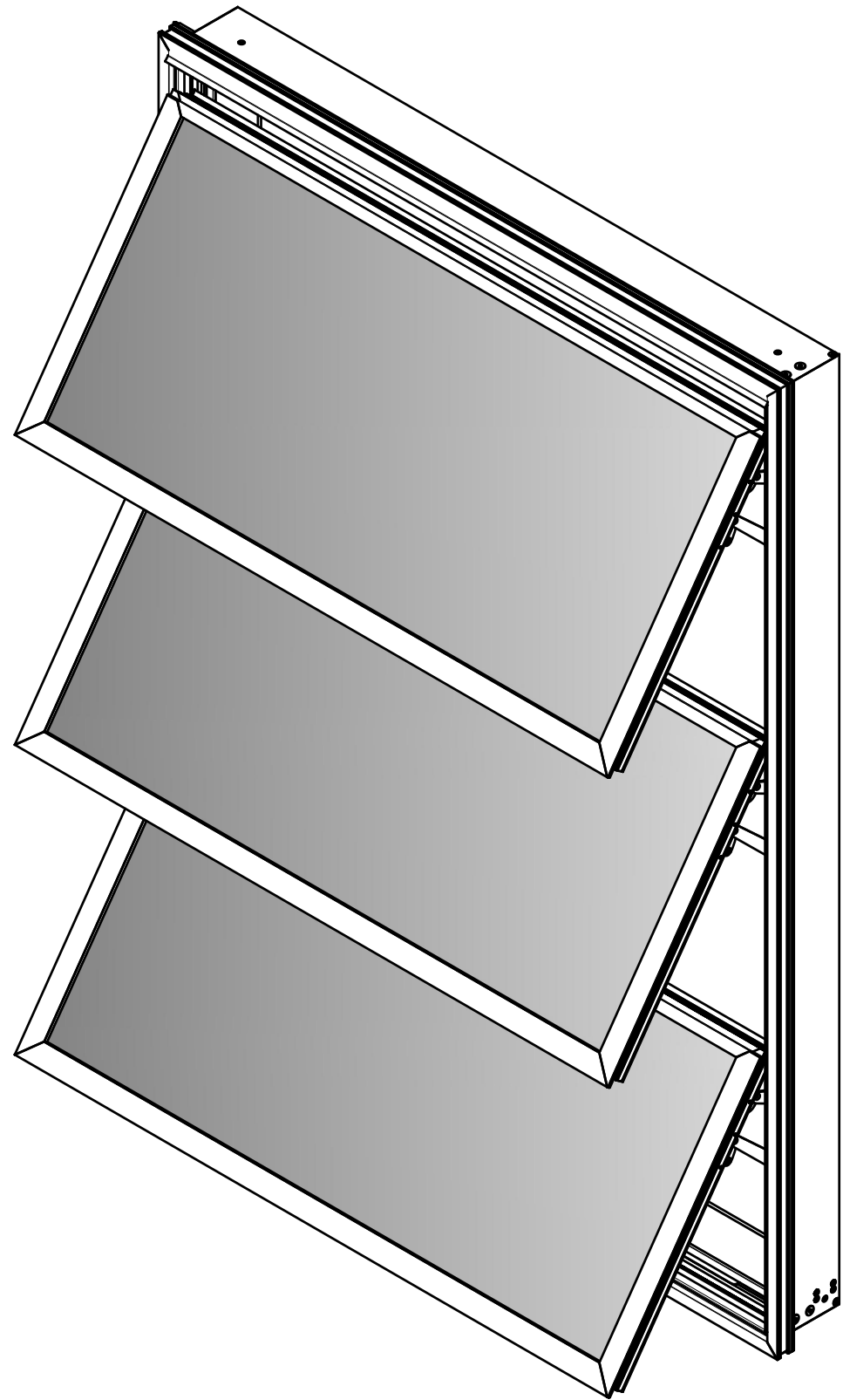
EBSA Pty Ltd reserves the right to make changes to the design and specifications as detailed on this drawing without prior notification.

Rev	Rev Date	Revision Description	Drawn
1	24.11.22	Area of operating mechanism notes/details added	L.C.
0	21.08.18	Original issue	L.C.

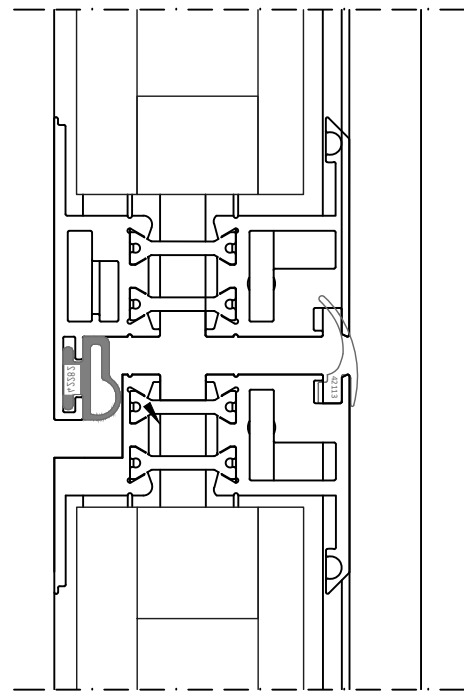
Revision Schedule

Copyright 2021 EBSA Pty. Ltd. This Drawing May Not Be Relayed Without Our Approval. All dimensions in mm

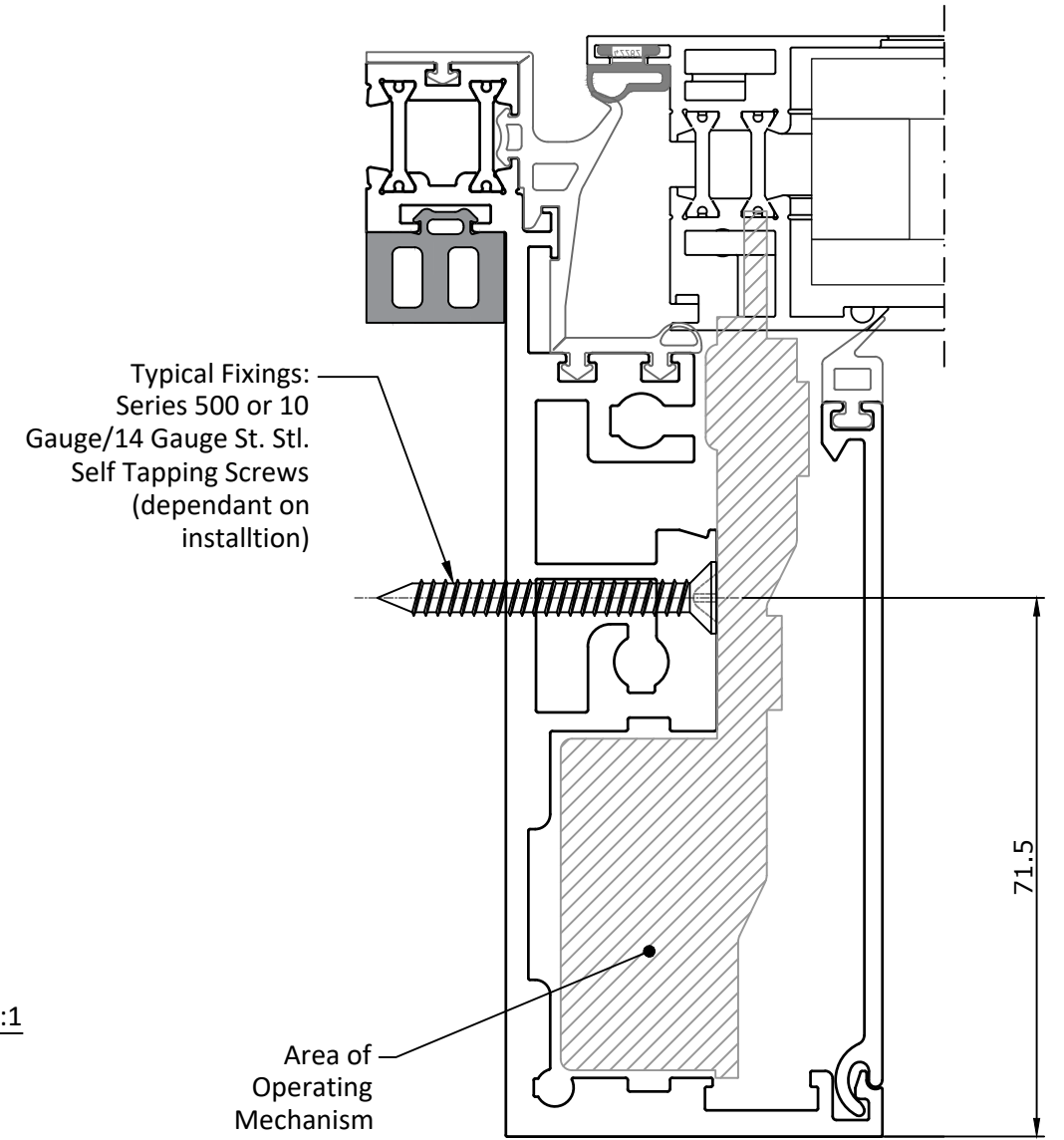
Drawing Reference:	EBSA-MP2-FR-1
Title:	MP2 Louvre System: Framed, Double Glazed
Date:	21.08.2018
Scale:	As Details
Paper Size:	A3
Sheet No:	1 of 2



Typical Isometric View - Exterior



Intermediate Blade Interface Detail: Scale 1:1

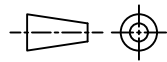


Typical Mullion Fixing Details - Scale 1:1

Louvre System Type: MP2

Glazing Arrangement: Double Glazed, Framed

Operation Type: Automated



Third Angle Projection

EBSA Pty Ltd
1300 327 200
sales@ebsa.com.au

EBSA NZ Ltd
+64 (0)9 8840025
info@ebsa.co.nz
www.ebsa.com.au

EBSA Pty Ltd reserves the right to make changes to the design and specifications as detailed on this drawing without prior notification.

Rev	Rev Date	Revision Description	Drawn
1	24.11.22	Area of operating mechanism notes/details added	L.C.
0	21.08.18	Original issue	L.C.

Copyright 2021 EBSA Pty. Ltd. This Drawing May Not Be Relayed Without Our Approval. All dimensions in mm

Drawing Reference: EBSA-MP2-FR-1

Title: MP2 Louvre System: Framed, Double Glazed

Date: 21.08.2018

Scale: As Details | Paper Size: A3 | Sheet No: 2 of 2